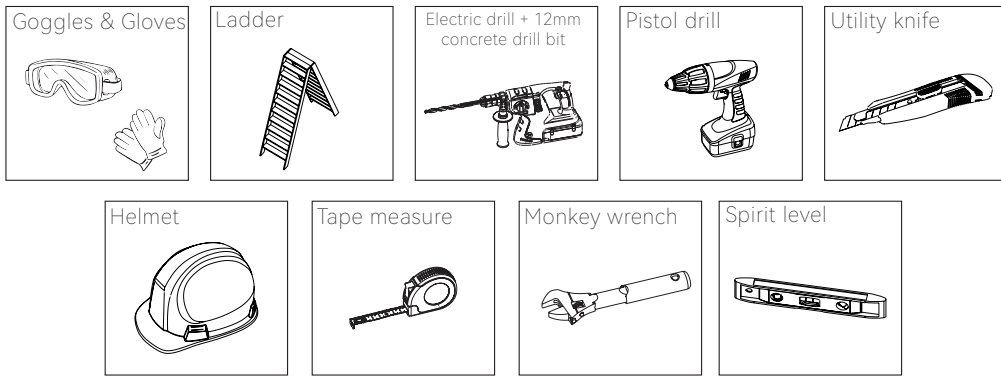


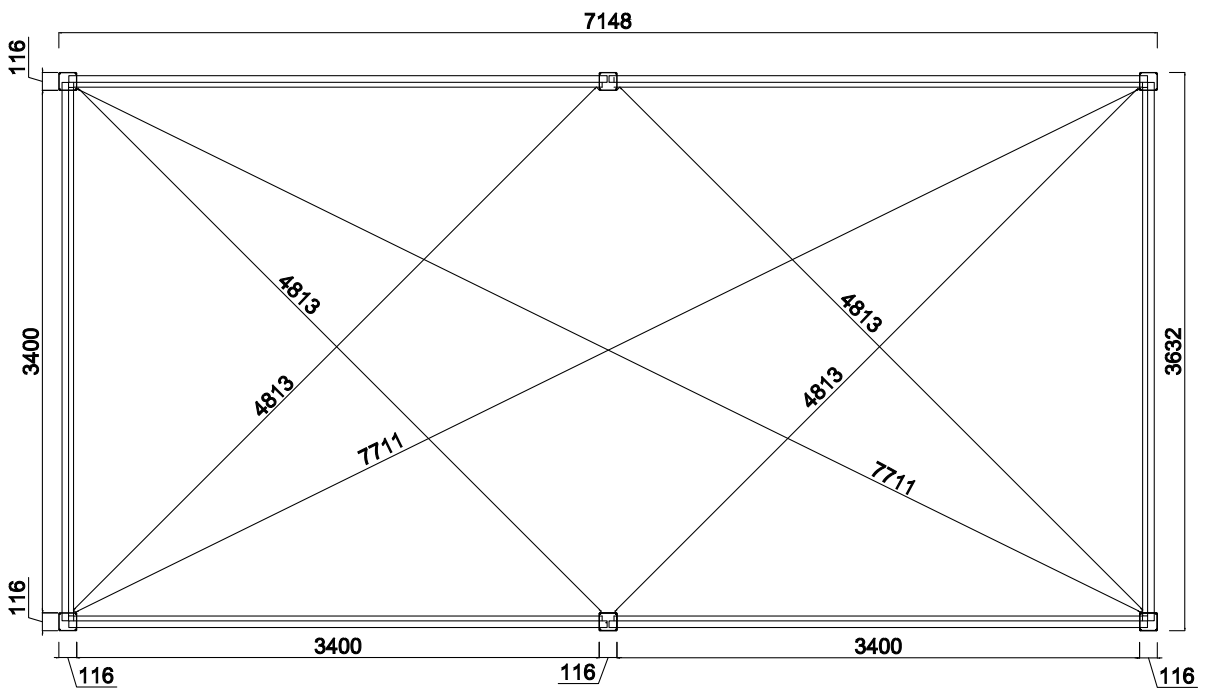
PERGOLA 3.6×7.2M

Assembly Instructions
Orion Deluxe

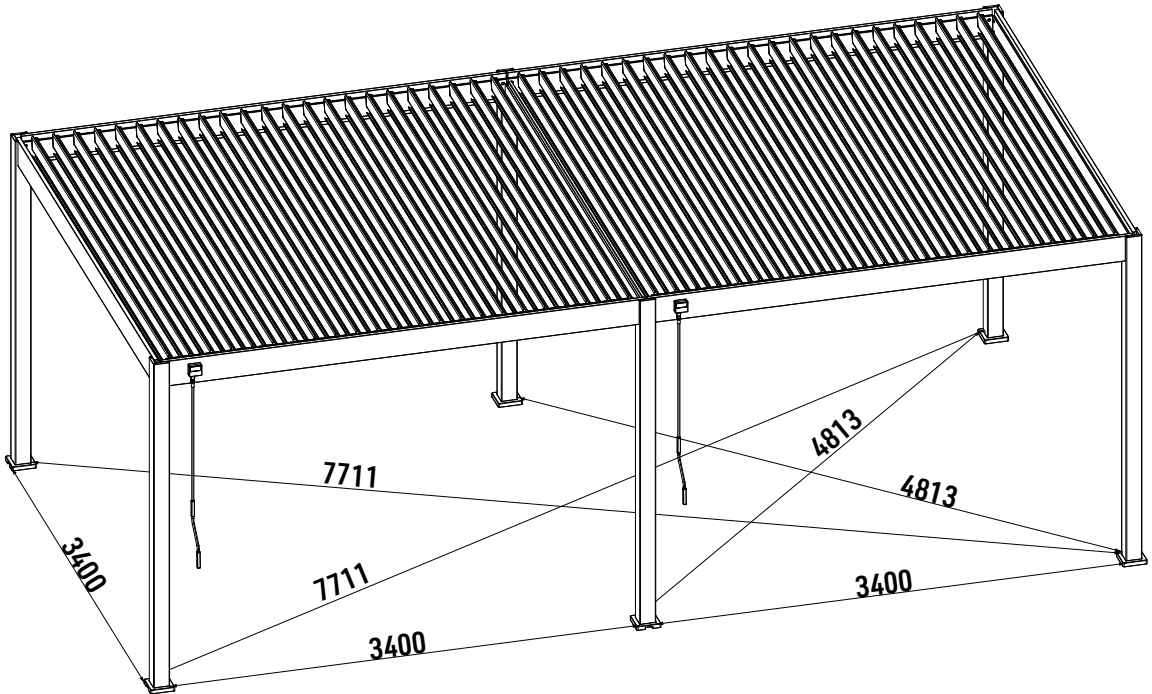
NECESSARY TOOLS AND SAFETY GEAR(NOT SUPPLIED)



2D FOOTING MEASUREMENT (dimensions in mm)



3D FOOTING MEASUREMENT (dimensions in mm)



PRECAUTION OF USE

This product should not be used in extreme weather: storms, violent winds, hail, and snow. We guarantee the resistance of the pergola for winds up to 100 km/h and a maximum snow weight of 50kg/m².

As in the case of strong winds or snow, we highly recommend leaving the louvers open. To maintain good working conditions of your louvers, please clear any snow on them.

Our pergola can withstand heavy rain, but we cannot guarantee it will be 100% waterproof due to some extreme weather conditions.

Exceptional climatic events may compromise the perfect sealing of the product.

To avoid any damages and injuries, we do not recommend climbing on the roof or the structure of the pergola.

TIPS AND SAFETY INSTRUCTIONS

Depending on the location and surface area, construction may be subject to building permits. Make sure you have checked with your local authorities to obtain the needed information before the assembly.

Product assembly :

- At least 2/3 people required
- Remove protective film (around 1 hour needed)
- Do not keep children near the assembly area
- Beware of the risk of pinching
- Do not tighten the screws before assembling the whole product
- All assembly steps must be carefully followed
- Check the level of the structure on all sides
- Do not anchor the pergola before assembling the whole product

No changes can be made to the product. Products tampered with by the user are not covered by the warranty, thus being declared as void.

The location should be chosen carefully. It is recommended to avoid mounting your pergola on a rainy day, facing the prevailing winds, and under an overhanging tree.

The pergola must be mounted on a flat-level foundation. It is recommended to install it on a concrete slab or 25x25 cm concrete pads at each post. Please, anchor the pergola properly to the ground using expansion screw.

If you would like to mount your pergola near your house or a building, please check the presence of gutters for water drainage.

Should these instructions not be followed or only partially, the warranty will be voided by the seller.

MAINTENANCE

Regular maintenance is necessary to ensure its longevity and aesthetic appearance.

We recommend to :

- Clean your pergola once or twice a year with fresh water using a sponge or cloth.
- Do not use detergent or an abrasive material.
- Check the tightness of the screws regularly (at least once a year).
- Oil fastening regularly (at least once a year).
- Make sure that nothing hinders the water flow in the gutters (leaves, branches...).
- Remove any water that might stagnate around the legs of the pergola (lift the posts skirts).

WARRANTY

This warranty does not cover :

- Normal wear and tear inherent from the products.
- Loss or breakage of any part during unpacking or installation.
- Lack of care, neglect, vandalism, impact with foreign body, force, contact with a abrasives material, product aesthetics, disassembly, rebuilding or relocation.
- Force majeure: hail, high winds, storms, snow, floods, lightning etc...
- Product tampered with by the user.

The warranty only takes in account the replacement of spare parts or the provided product, no refund will be issued.

All warranty claims must be made at the sales outlet (store or website) where the product has been purchased.

PARTS LISTS (PER CARTON)

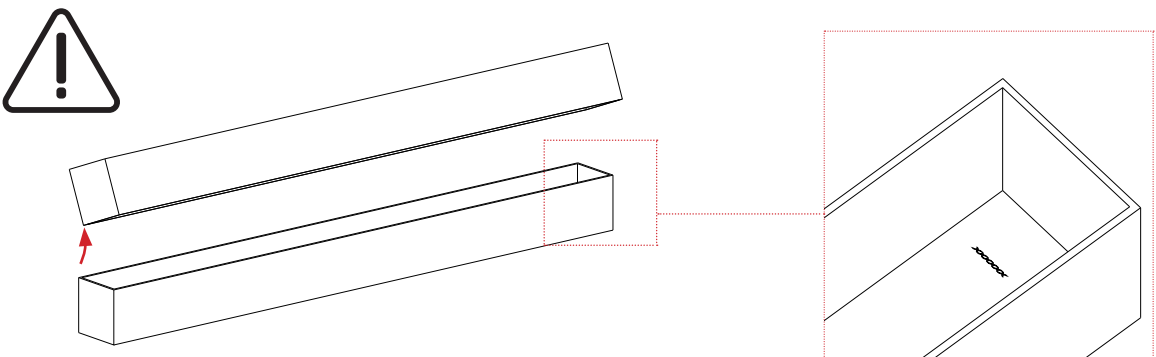
Before proceeding with the assembly of your louvered pergola, it is necessary to check that all parts listed are supplied and not damaged.

Any missing part must be reported within 10 days of delivery.




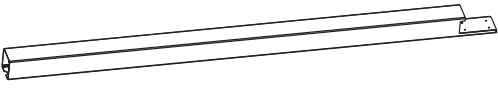
You can either go through your local outlet store or make the request directly on our website.



Do not discard the packaging without ensuring that the product is functioning properly.

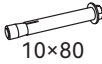


There is a Product Tracking Number in the inner side of the carton(see below diagram). For better and efficient after-sales in the future, when tear down the carton box, please take a photo of the Tracking Number and save the photo.

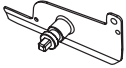
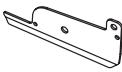
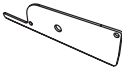


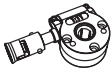

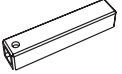
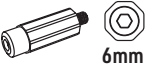
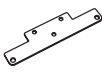



















CARTON 1/7

| No. | Profile | Diagram | Size | QTY |
|------|---|---|---------------------|-----|
| AO |  |  | 116X116 L=2550mm | 4 |
| AO-1 |  |  | 116X116 L=2550mm | 2 |

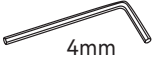

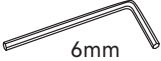
| No. | Diagram | QTY |
|-----|---|-----|
| IO |  | 6 |
| JO |  | 6 |

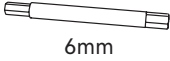

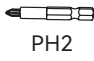

| No. | Diagram | QTY |
|------|---|-----|
| TO |  10x80 | 24 |
| XO-1 |  6x35  4mm | 24 |

| No. | Diagram | QTY |
|------|--|-----|
| KO |  | 2 |
| LO |  | 44 |
| LO-1 |  | 46 |
| MO |  | 90 |
| MO-1 |  | 90 |
| NO |  | 2 |
| OO |  | 2 |
| PO |  | 2 |
| QO |  6mm | 24 |
| EO-1 |  | 2 |
| RO |  | 24 |

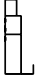

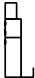
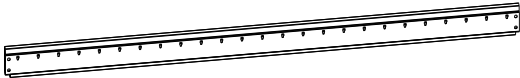







| No. | Diagram | QTY |
|------|---|-----|
| SO |  | 92 |
| UO |  lock nut | 136 |
| UO-1 |  plastic nut | 46 |
| VO |  | 228 |
| WO |  4x16  PH2 | 184 |
| WO-1 |  5x19  8mm | 6 |
| XO |  6x40  4mm | 90 |
| XO-2 |  6x20  4mm | 46 |
| XO-3 |  6x16  4mm | 4 |
| YO |  6x45  4mm | 6 |


CARTON 1/7

| No. | Diagram | QTY |
|------|--|-----|
| ZO-1 |  4mm | 1 |
| ZO-2 |  4mm | 1 |
| ZO-3 |  6mm | 1 |

| No. | Diagram | QTY |
|------|--|-----|
| ZO-4 |  6mm | 1 |
| ZO-5 |  10mm | 1 |
| ZO-6 |  PH2 | 1 |
| ZO-7 |  8mm | 1 |

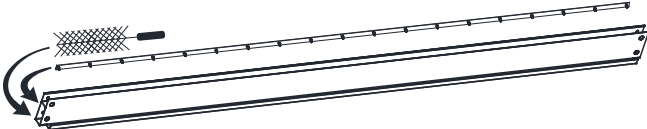
CARTON 2/7

| No. | Profile | Diagram | Size | QTY |
|------|---|---|--------------------|-----|
| BO |  |  | 75X195 L=3503mm | 2 |
| BO-1 |  |  | 75X195 L=3503mm | 2 |
| CO |  |  | 75X195 L=3503mm | 2 |
| EO |  |  | 75X110 L=3464mm | 1 |
| FO |  |  | 27X8 L=3348mm | 2 |
| HO | |  | L=1300mm | 2 |





ATTENTION!



Connecting Bar (FO) & Brush Inside!





CARTON 3/7

| No. | Profile | Diagram | Size | QTY |
|-----|---|---|--------------------|-----|
| GO |  |  | 166X38 L=3464mm | 9 |



CARTON 4/7

| No. | Profile | Diagram | Size | QTY |
|-----|---|---|--------------------|-----|
| GO |  |  | 166X38 L=3464mm | 9 |



CARTON 5/7

| No. | Profile | Diagram | Size | QTY |
|-----|---|---|--------------------|-----|
| GO |  |  | 166X38 L=3464mm | 9 |

CARTON 6/7

| No. | Profile | Diagram | Size | QTY |
|-----|---|---|--------------------|-----|
| GO |  |  | 166X38 L=3464mm | 9 |

CARTON 7/7

| No. | Profile | Diagram | Size | QTY |
|-----|---|--|--------------------|-----|
| GO |  |  | 166X38 L=3464mm | 10 |

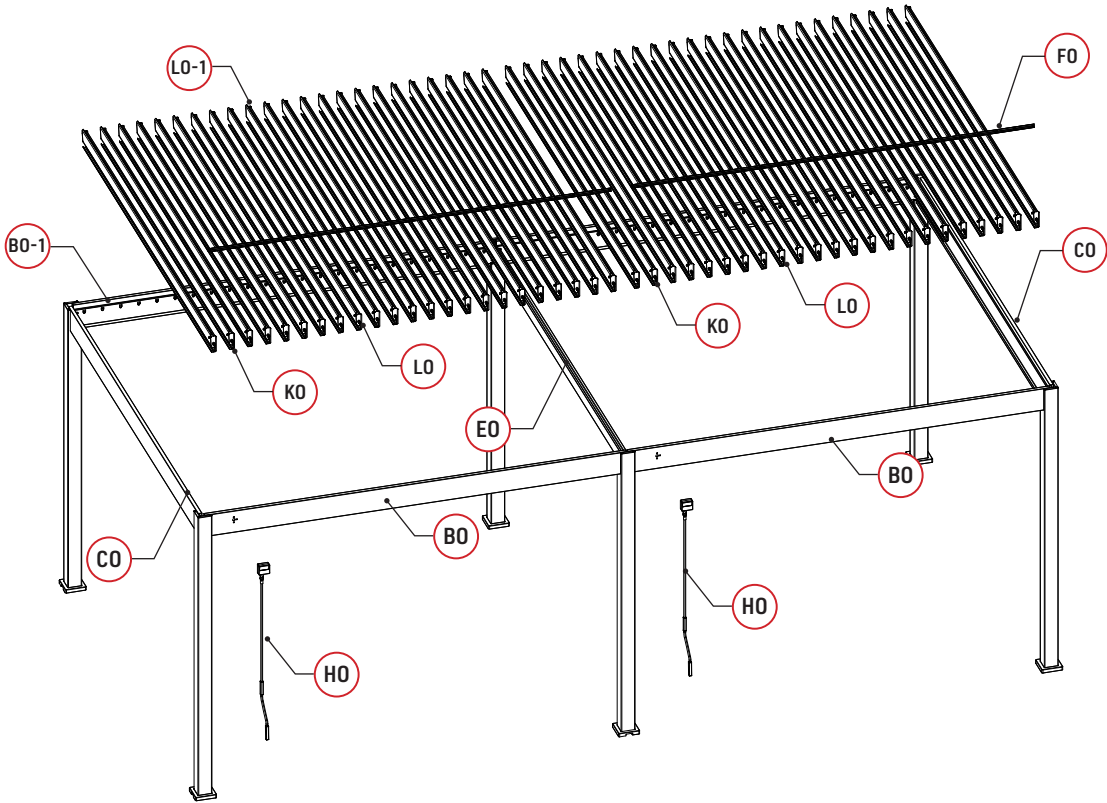
ASSEMBLY GUIDELINES





Step 1 : Frame

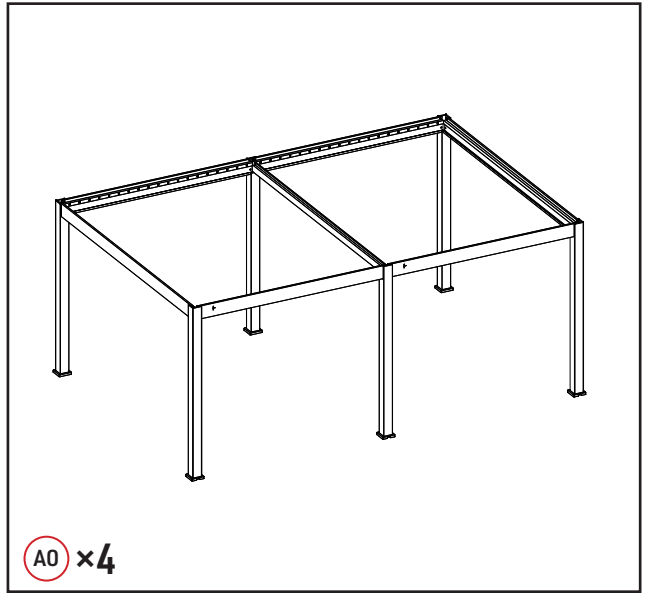
Step 2 : Assembling louvers

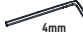

Step 3 : Install louvers & Connection

ASSEMBLING DIAGRAM



| | | |
|------|--|----|
| A0 |  | 4 |
| I0 |  | 4 |
| J0 |  | 4 |
| X0-1 |  6x35 4mm | 16 |

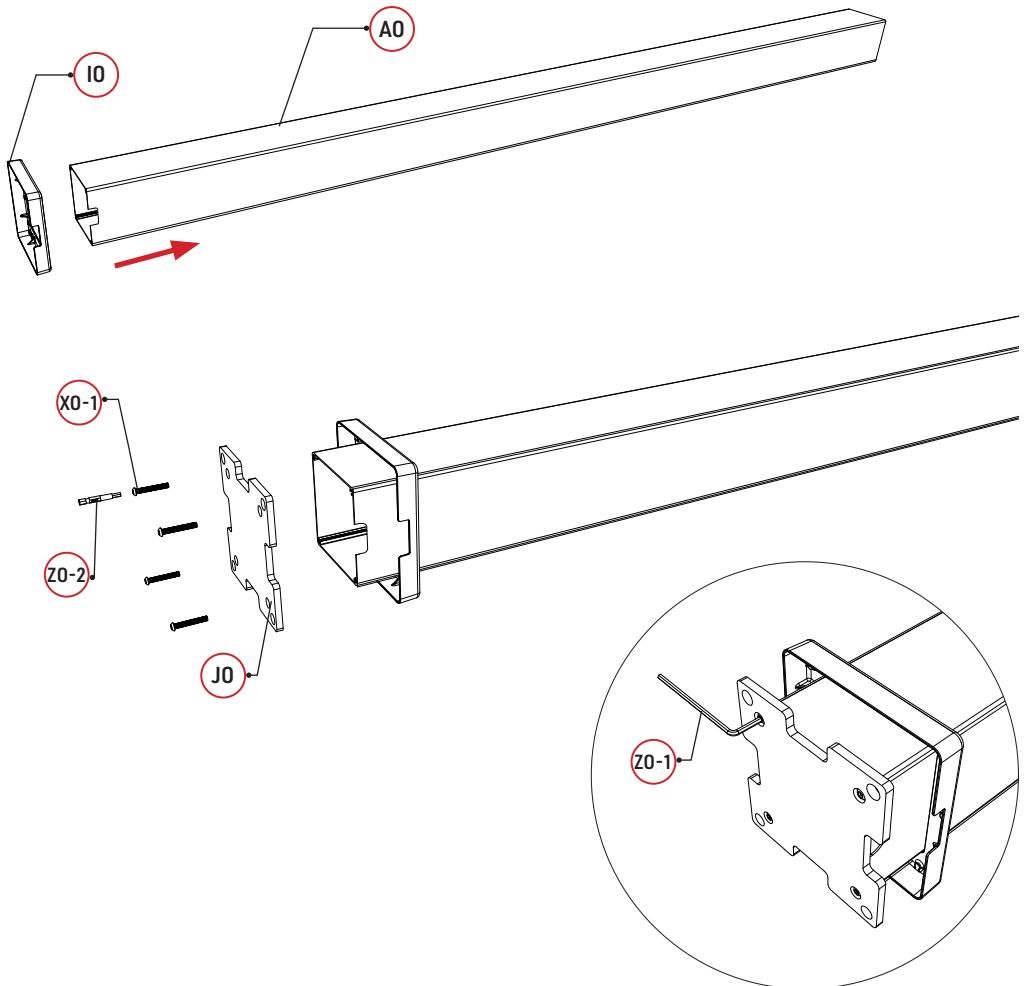





| | | |
|------|---|---|
| Z0-1 |  4mm | 1 |
| Z0-2 |  4mm | 1 |

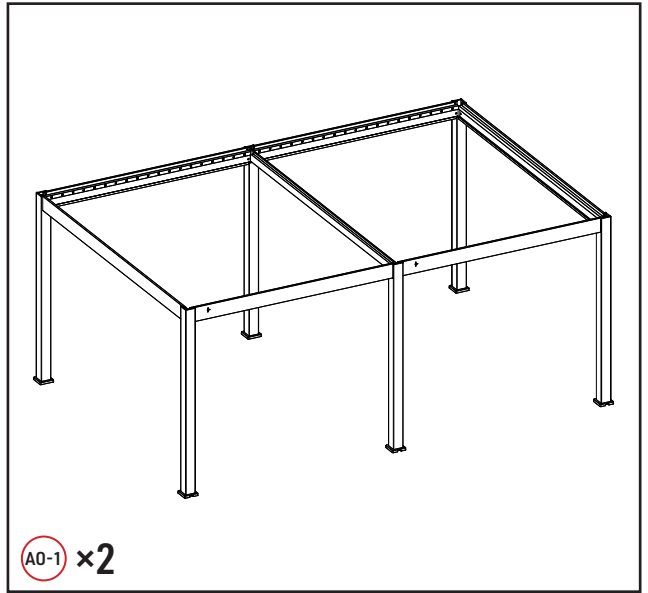


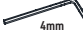

A0 x4

Post installation diagram



| | | | | | |
|------|---|---|------|--|---|
| A0-1 |  | 2 | | | |
| I0 |  | 2 | X0-1 | | 8 |
| J0 |  | 2 | | | |

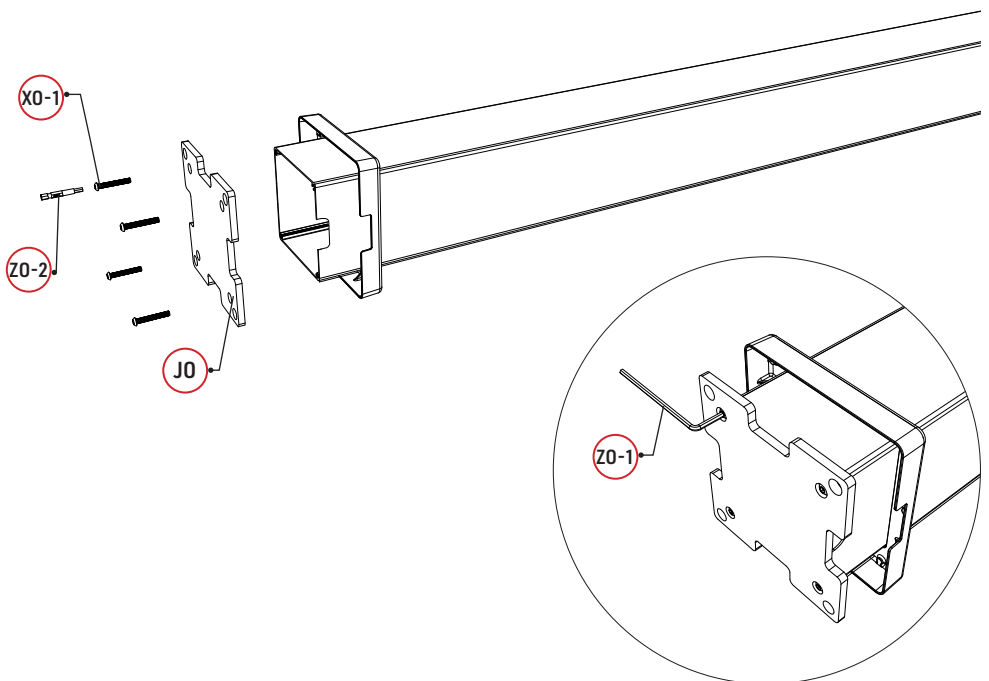
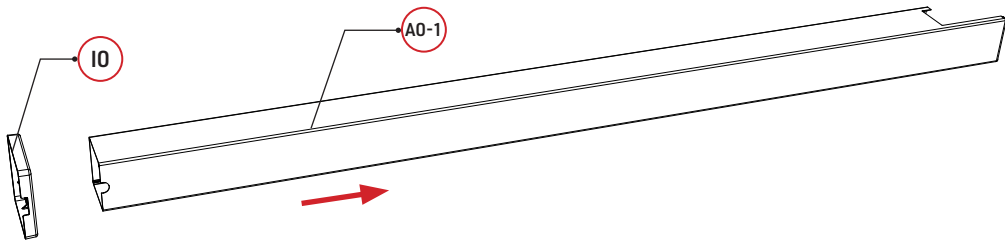


| | | | | | |
|------|---|---|--|--|--|
| Z0-1 |  | 1 | | | |
| Z0-2 |  | 1 | | | |



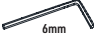
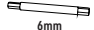
(A0-1) x2

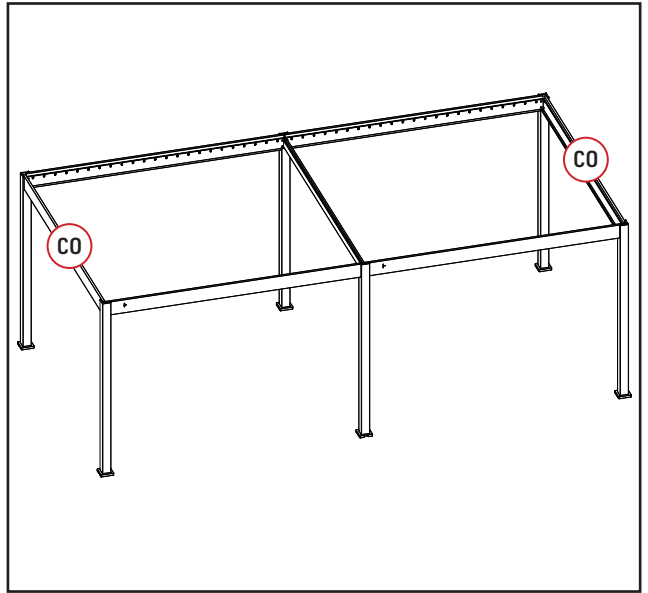
Post installation diagram



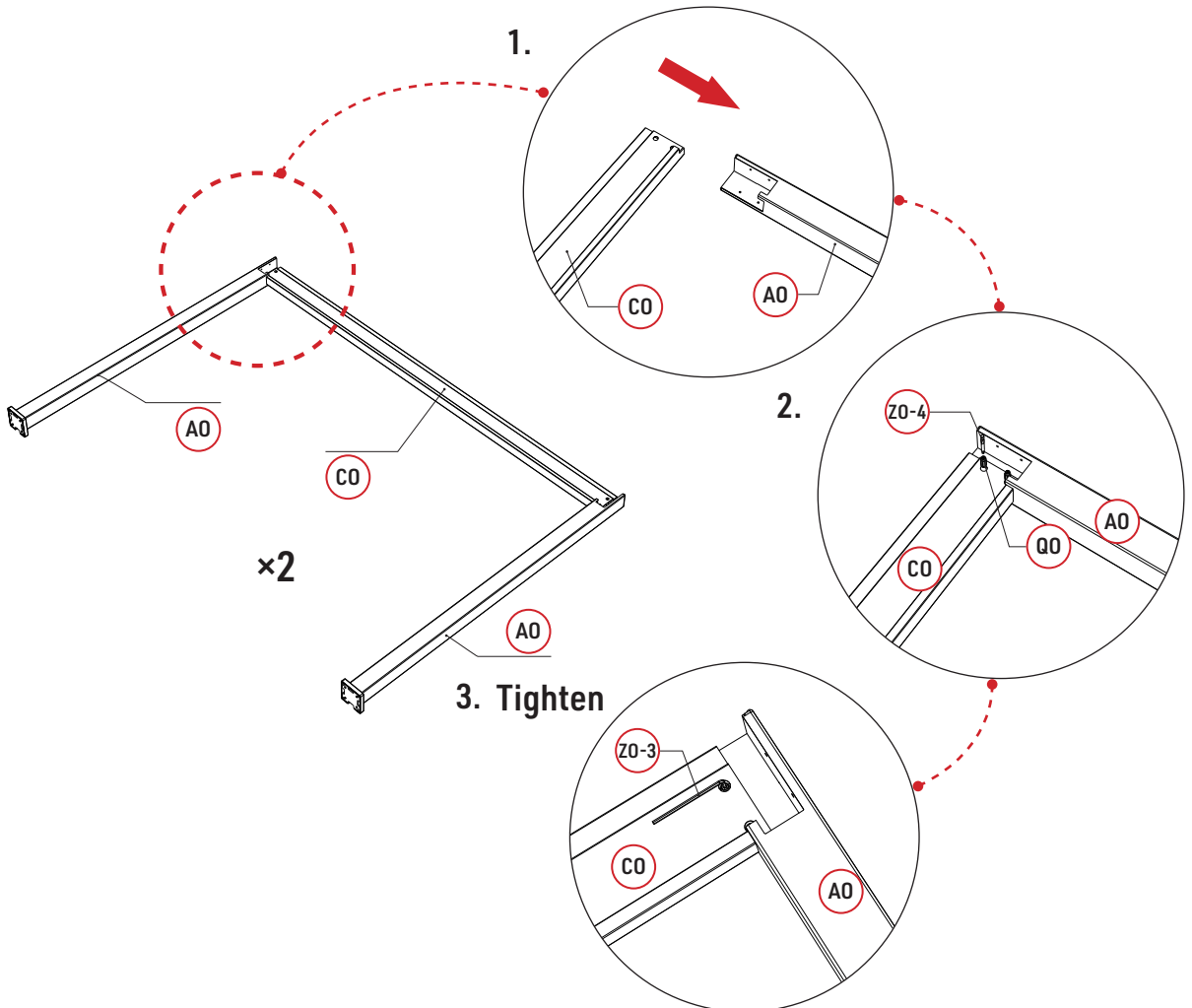
| | | |
|----|--|---|
| CO |  | 2 |
|----|--|---|




| | | |
|----|---|---|
| QO |  | 8 |
|----|---|---|

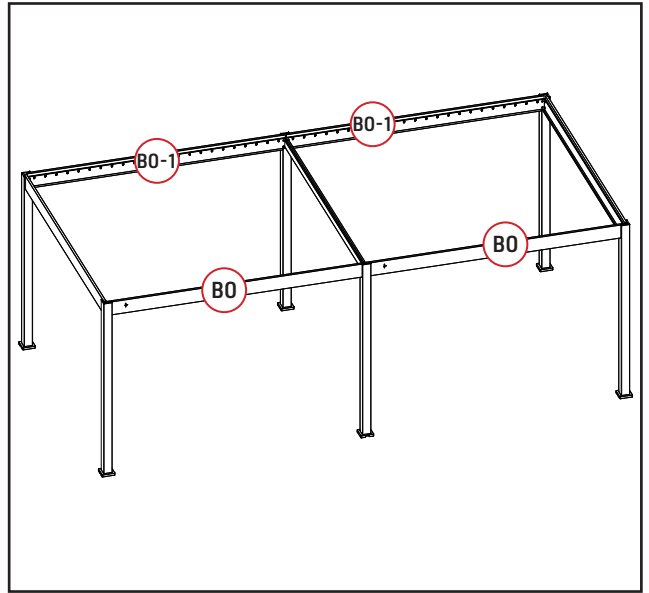
| | | |
|------|---|---|
| ZO-3 |  | 1 |
| ZO-4 |  | 1 |

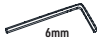



Connect beams to columns



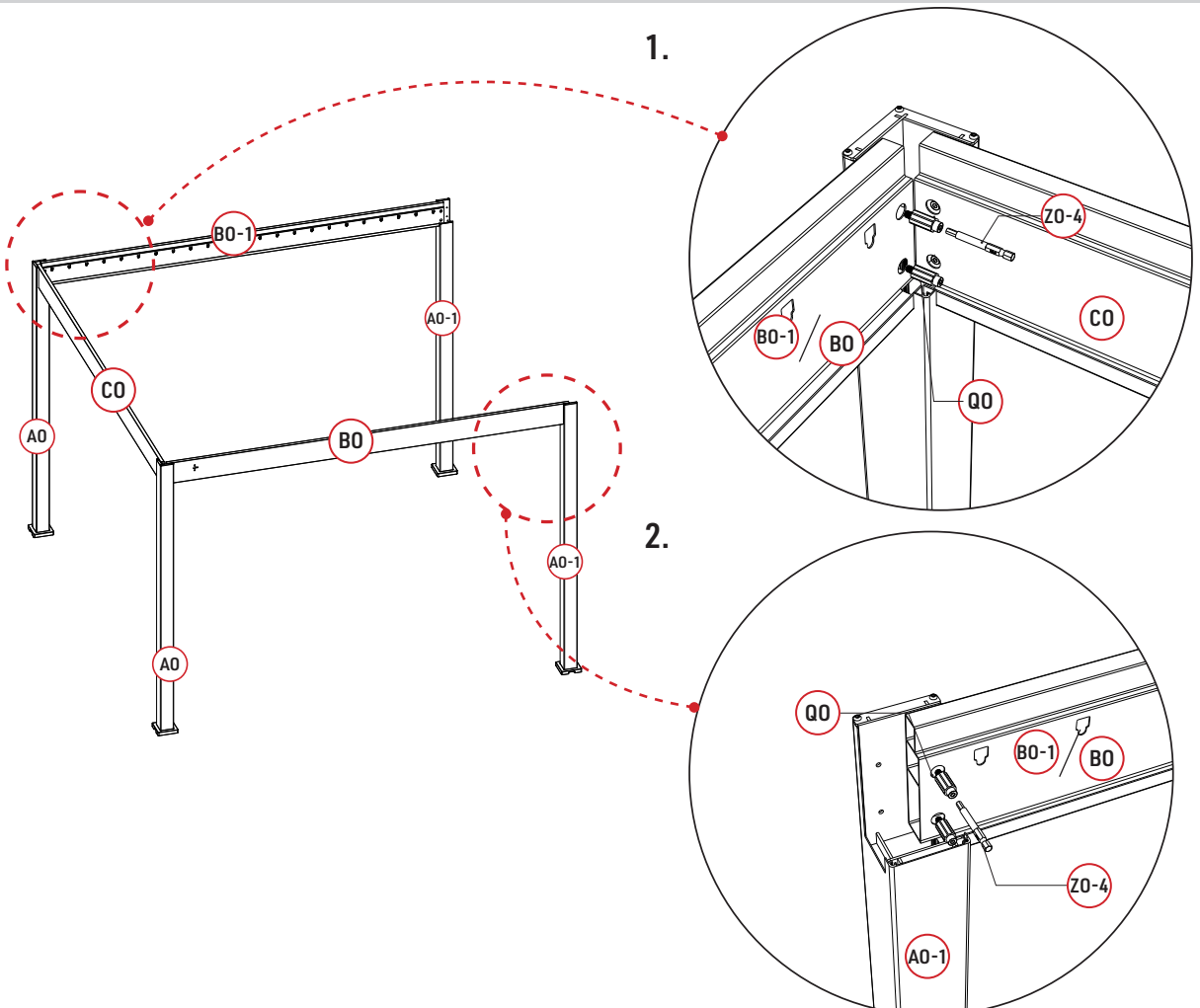
| | | |
|------|---|----|
| B0 |  | 2 |
| B0-1 |  | 2 |
| Q0 |  | 16 |

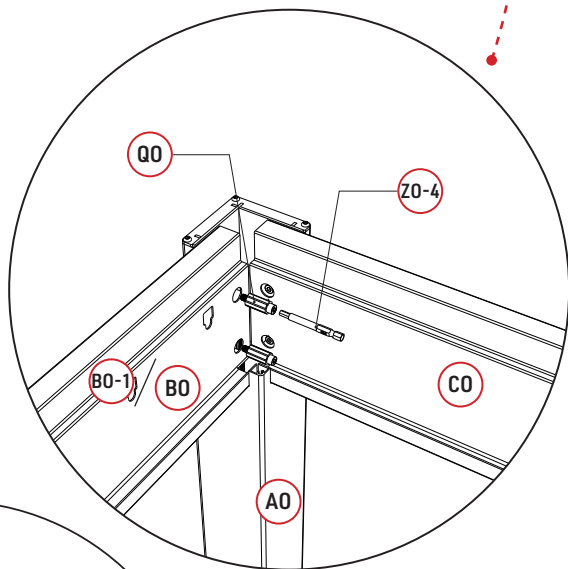
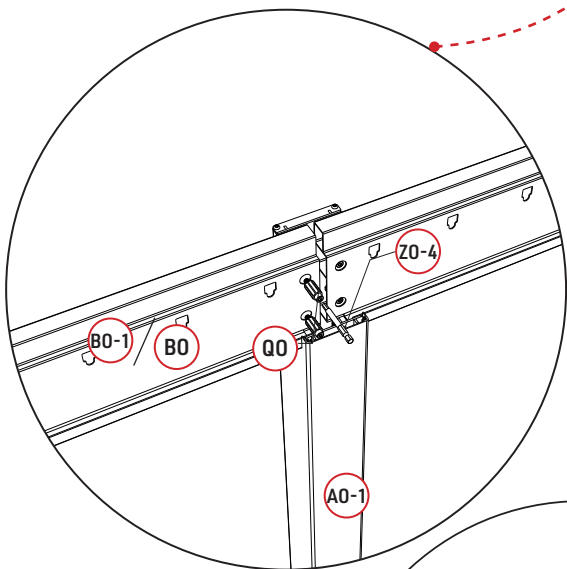
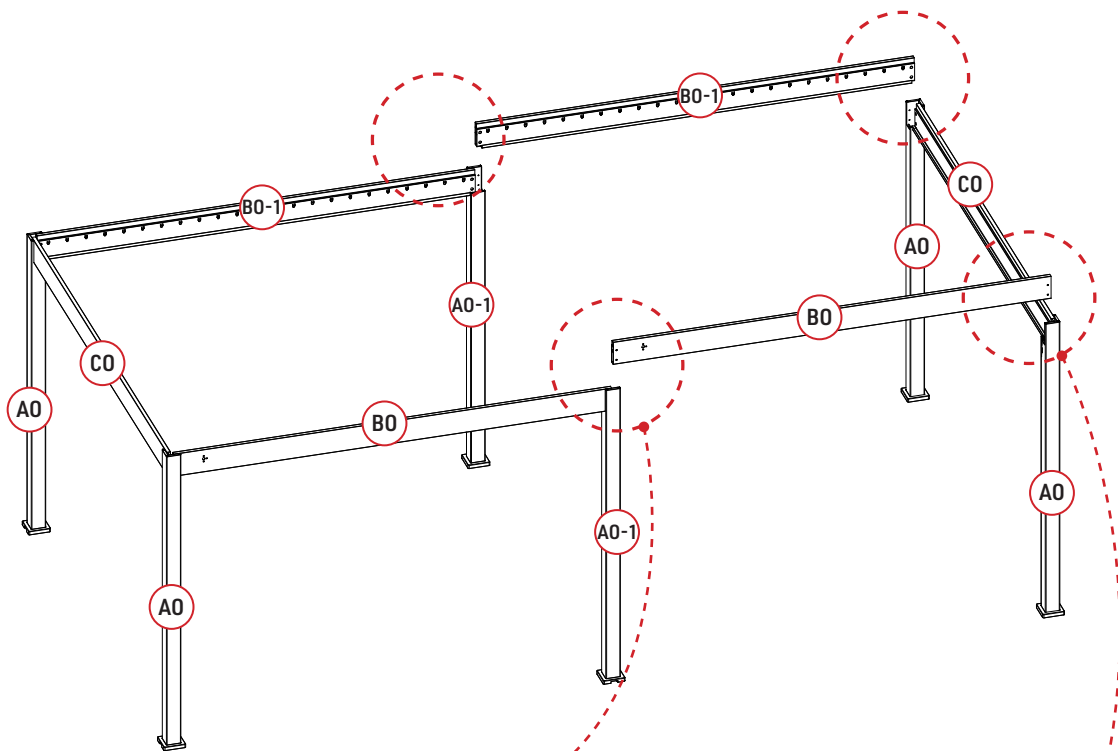


| | | |
|------|---|---|
| Z0-3 |  | 1 |
| Z0-4 |  | 1 |

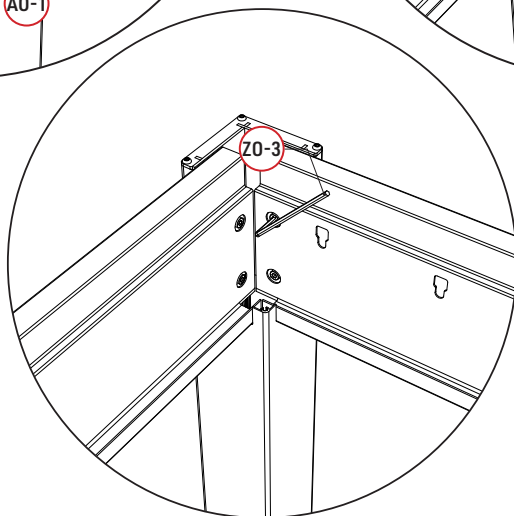



Connect beams to columns






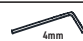




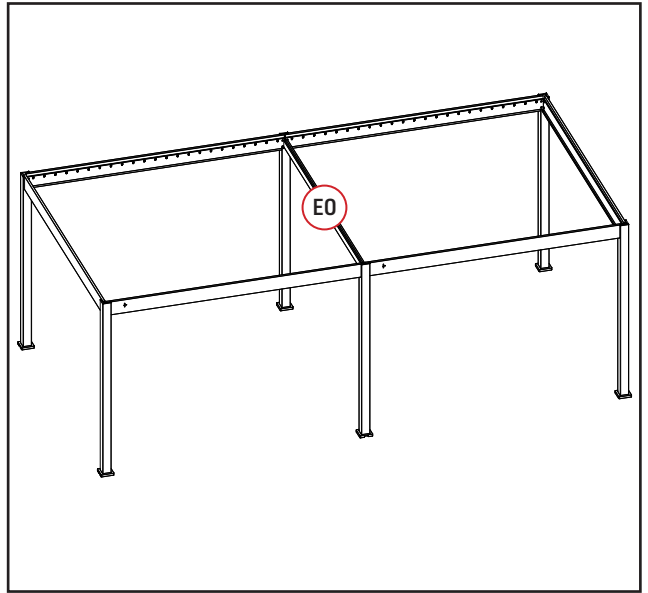
Tighten



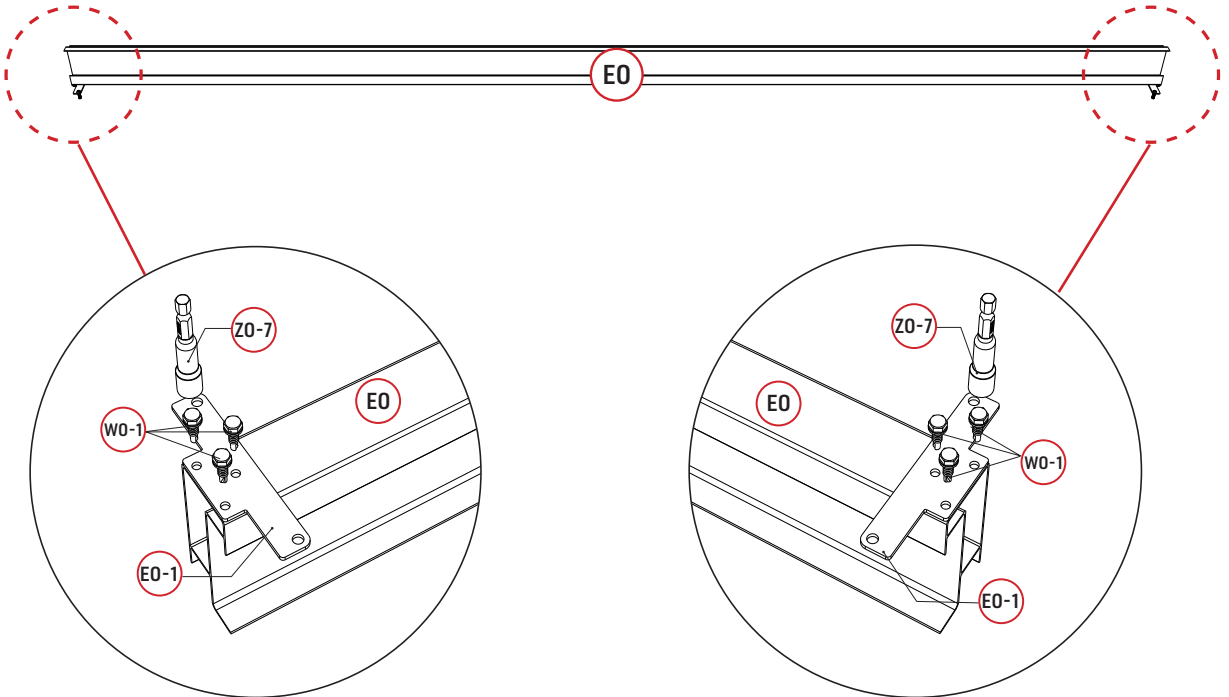
| | | |
|----|--|---|
| E0 |  | 1 |
|----|--|---|

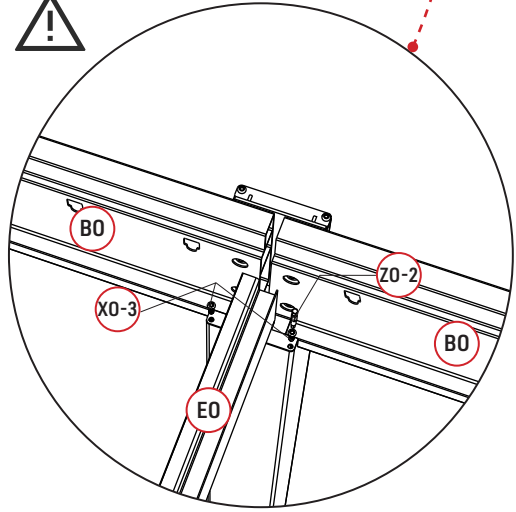
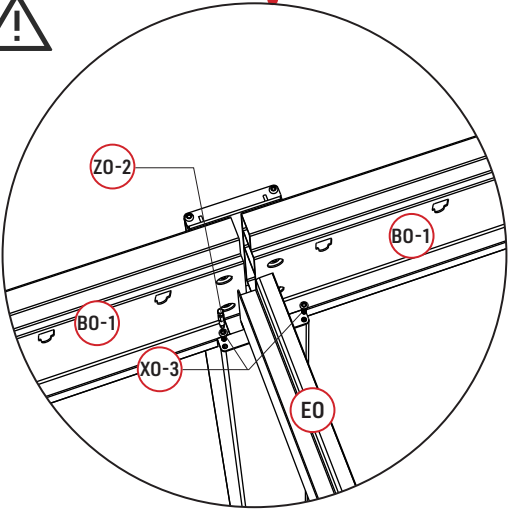
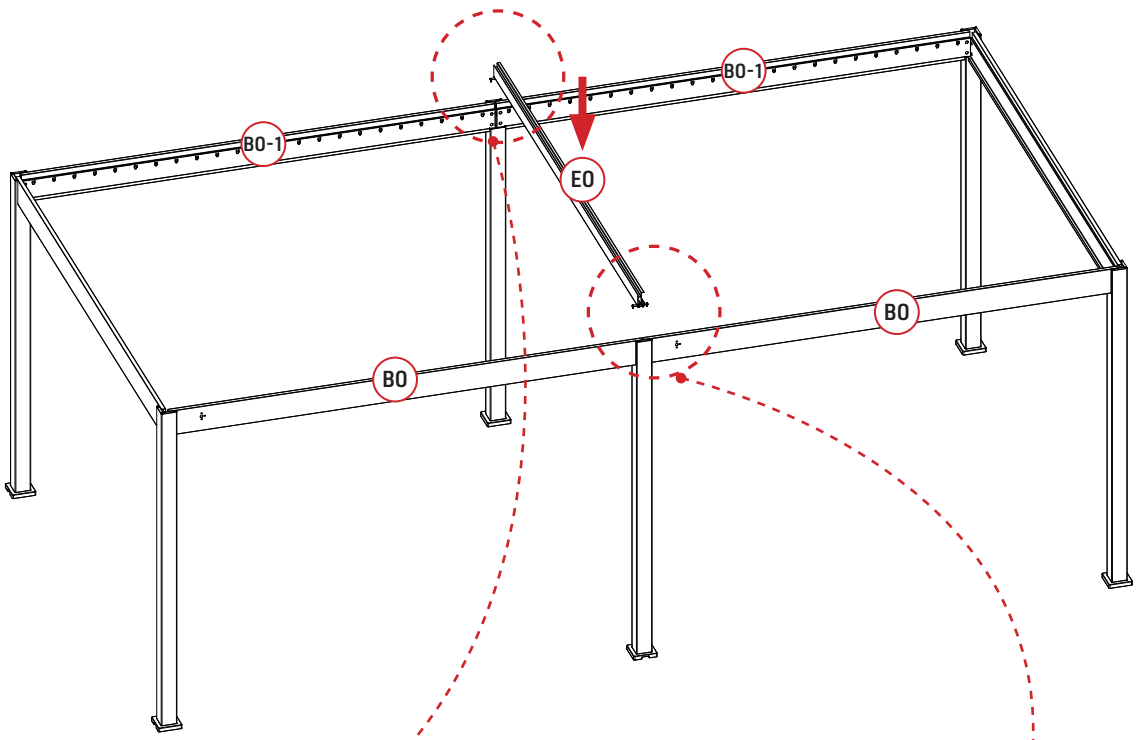
| | | |
|------|---|---|
| E0-1 |  | 2 |
| W0-1 |  | 6 |
| X0-3 |  | 4 |


| | | |
|------|---|---|
| Z0-1 |  | 1 |
| Z0-2 |  | 1 |
| Z0-7 |  | 1 |





Connect beams to columns



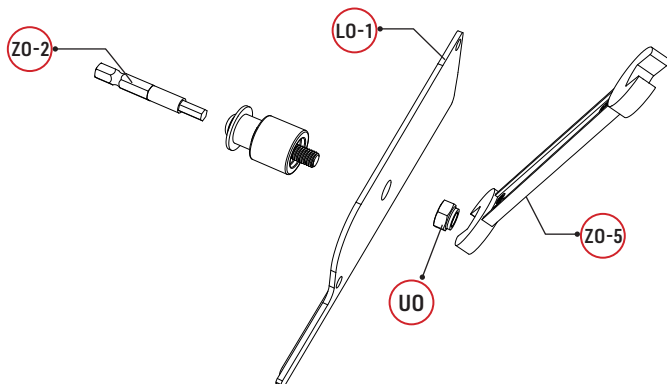
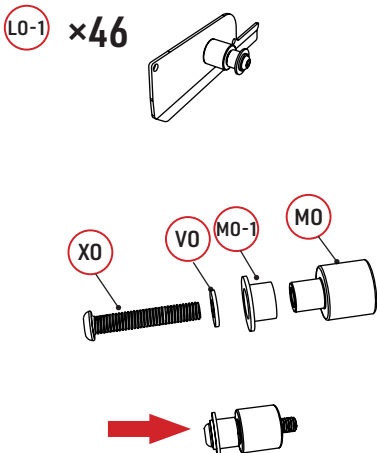
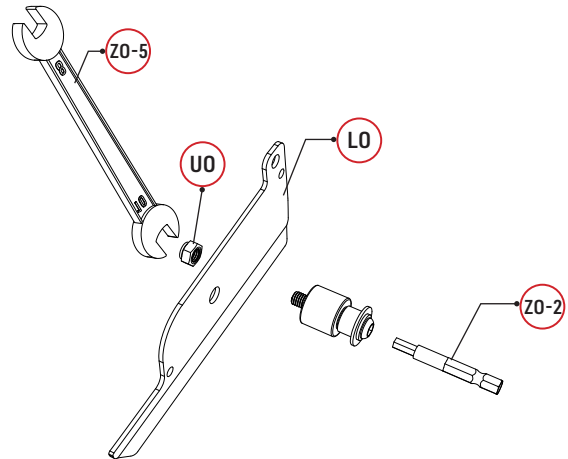
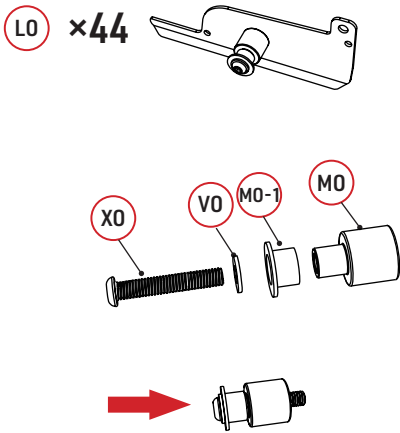



| | | | | | | | | |
|------|---|----|------|---|----|----|--|----|
| LO |  | 44 | MO-1 |  | 90 | VO |  | 90 |
| LO-1 |  | 46 | XO |  | 90 | | | |
| MO |  | 90 | UO |  | 90 | | | |






| | | |
|------|---|---|
| ZO-1 |  | 1 |
| ZO-2 |  | 1 |

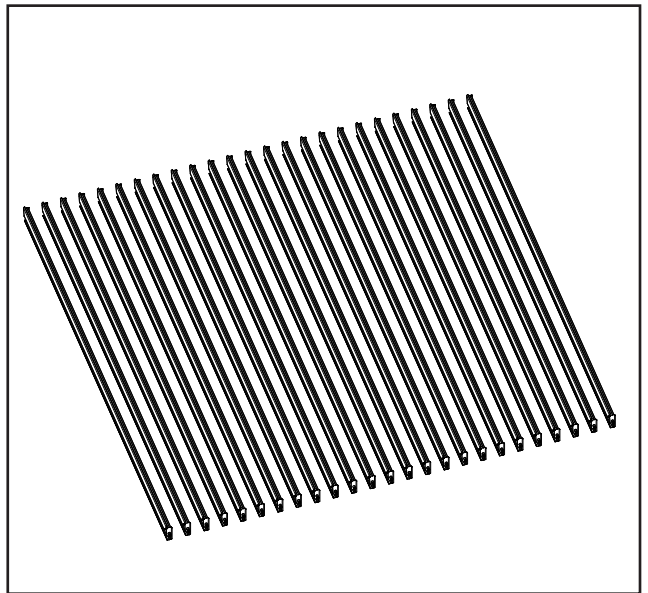
The illustration uses a manual wrench, which can be replaced with an electric P-tip.

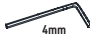

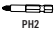
Install the spindles for the louver cover on both sides of the louvers.
 Note: To avoid any broken of the plastic parts(MO), when use the pistol drill, please reduce the twisting force of it .



| | | |
|----|--|----|
| GO |  | 46 |
|----|--|----|

| | | |
|------|--|-----|
| KO |  | 2 |
| LO |  | 44 |
| LO-1 |  | 46 |
| WO |  4x16  PH2 | 184 |

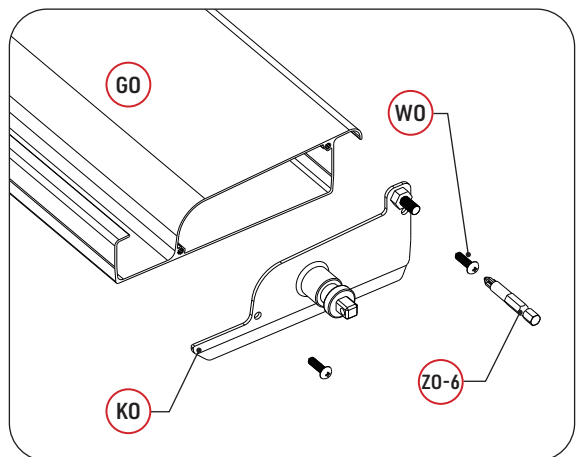
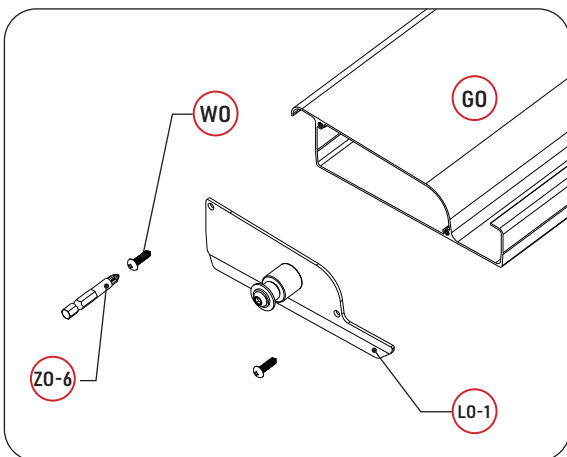
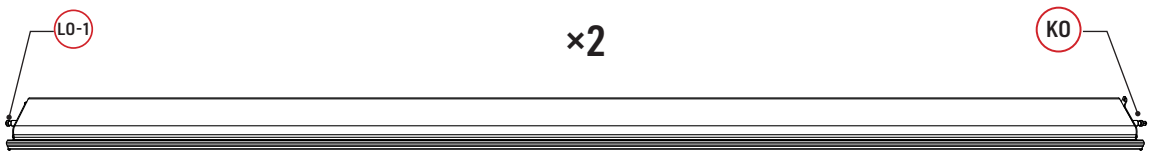


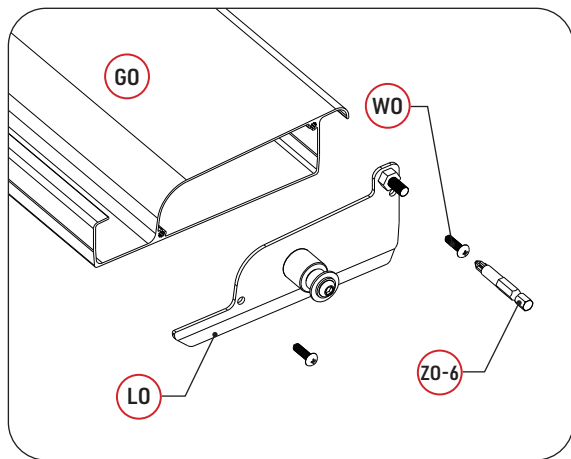
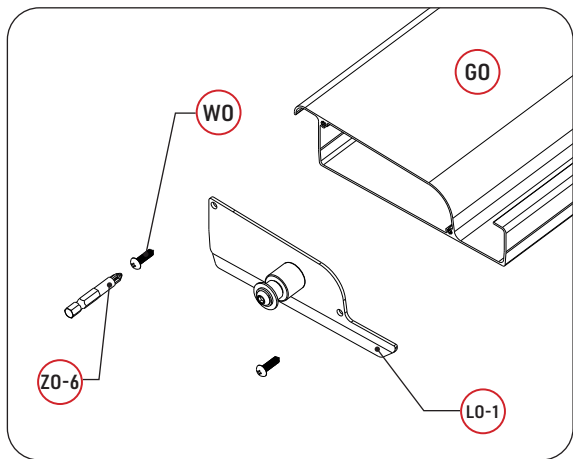
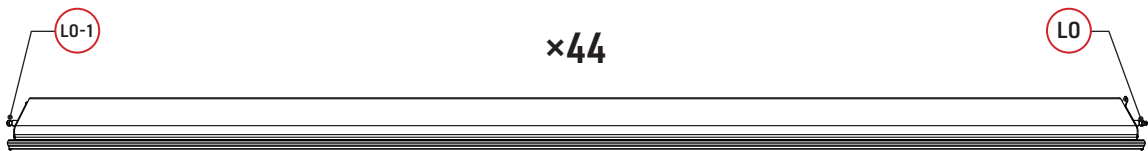
| | | |
|------|---|---|
| ZO-1 |  4mm | 1 |
| ZO-2 |  4mm | 1 |
| ZO-6 |  PH2 | 1 |

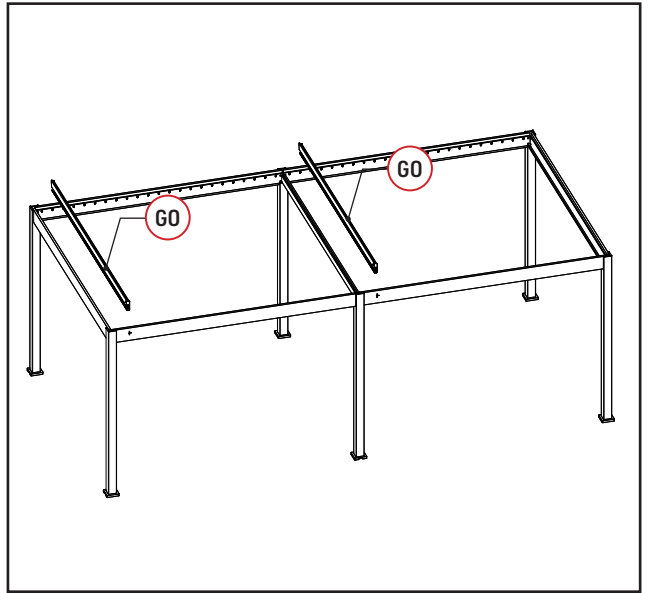


Louver connection

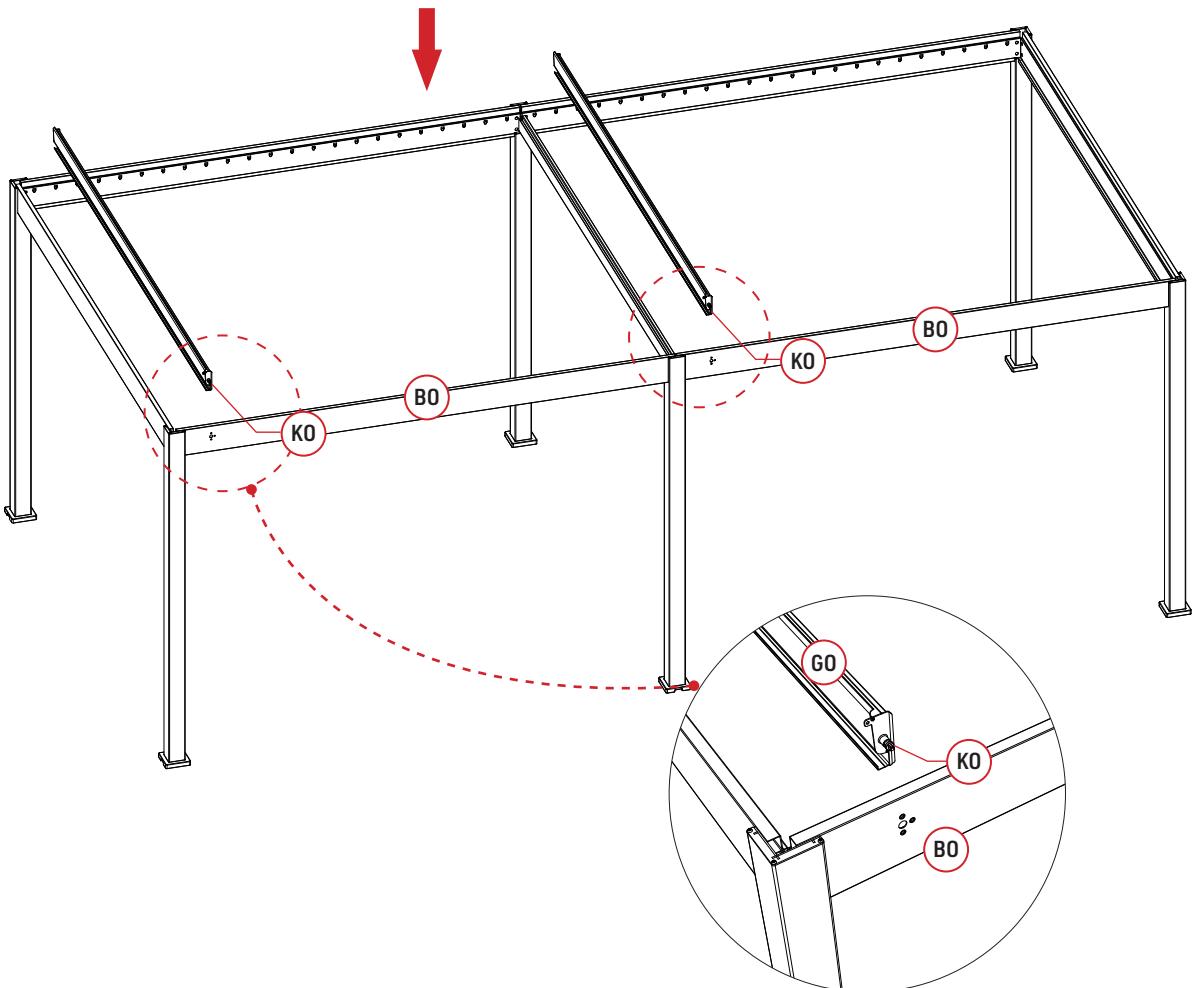
Completion Diagram



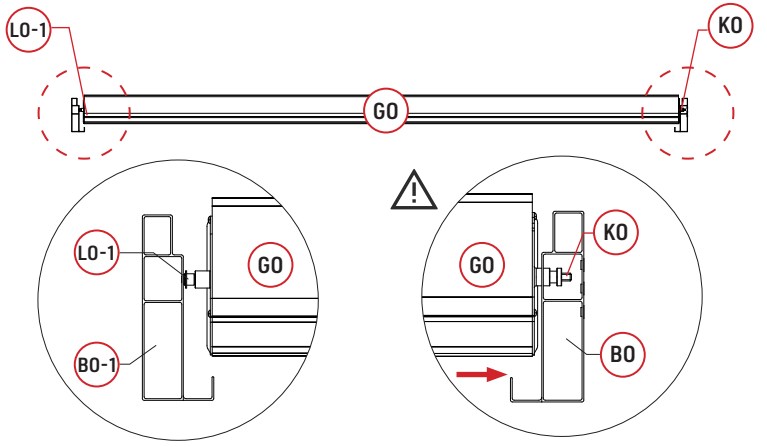
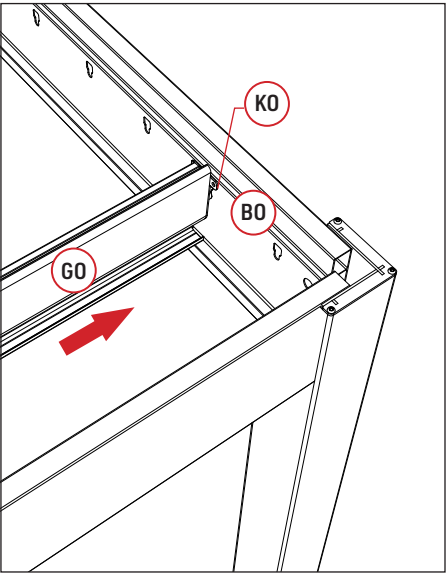




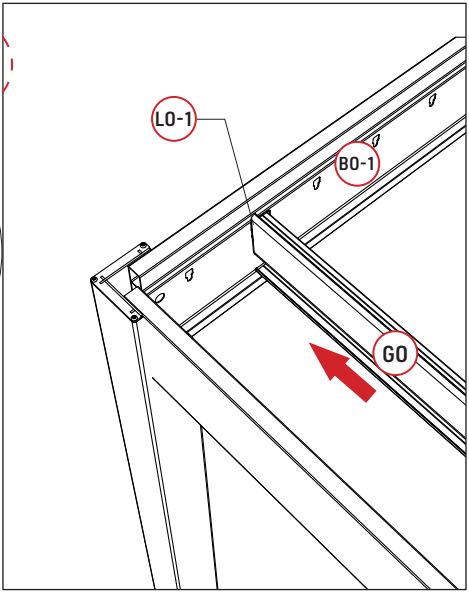
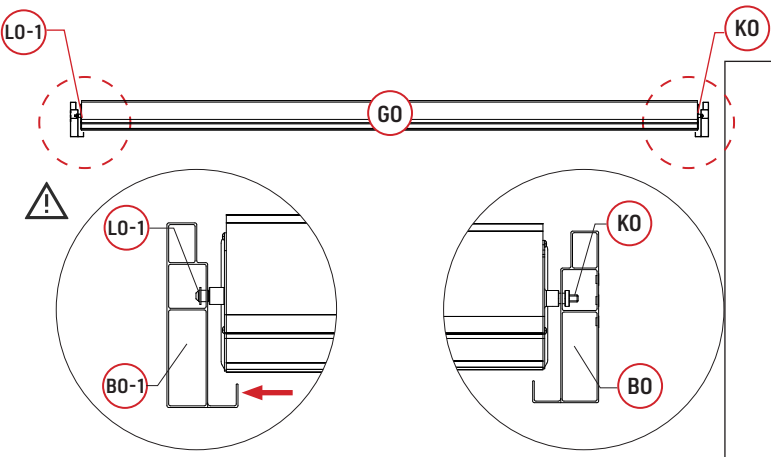
Fasten rubber plugs on both ends of the louvers

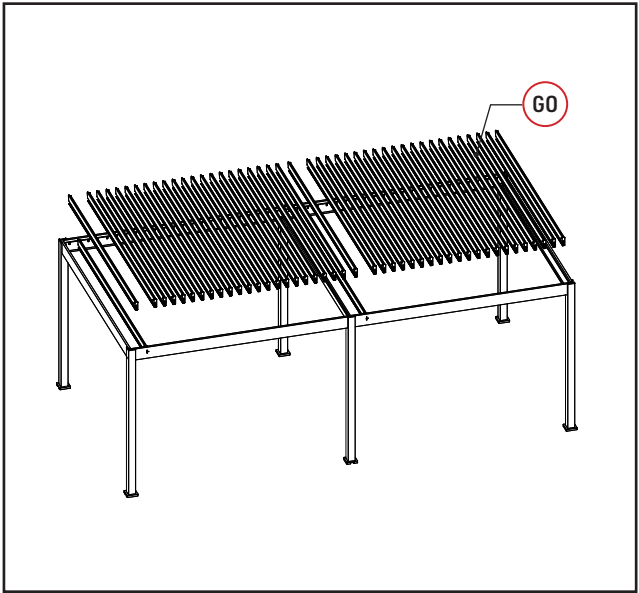


1



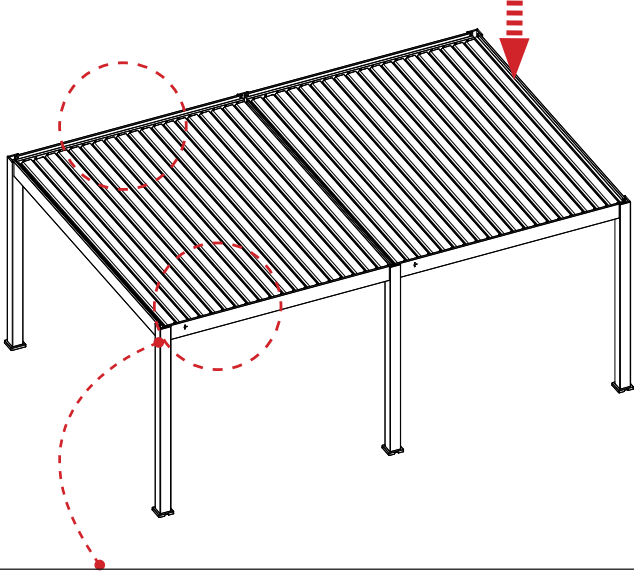
2



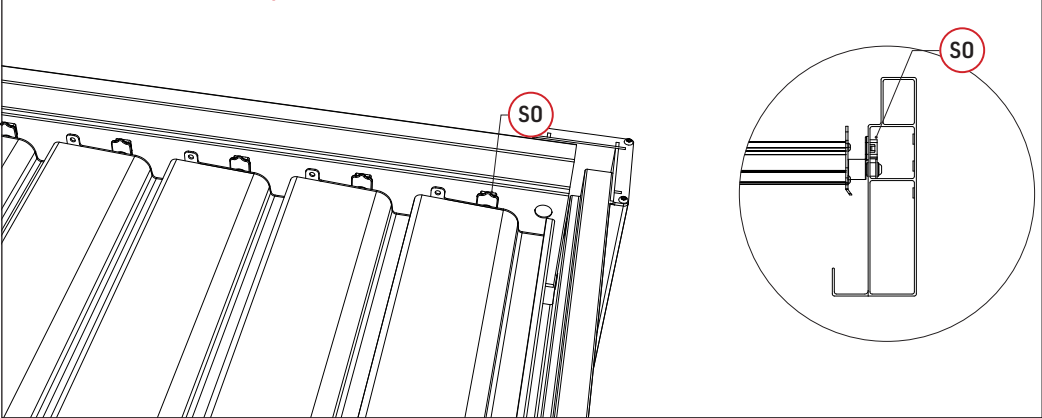







Put in the other louvers and seal the end caps

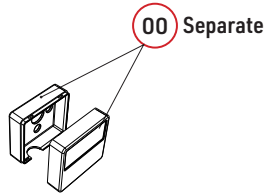
1



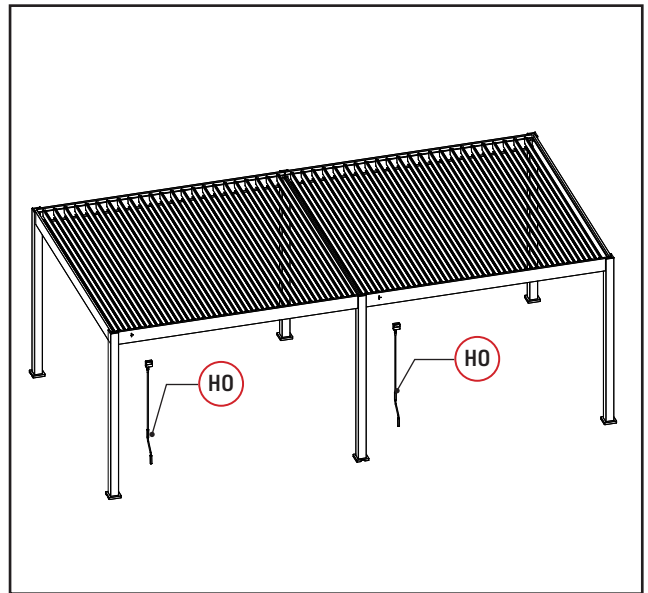
2



| | | | | | |
|----|---|---|----|---|---|
| HO |  | 2 | | | |
| NO |  | 2 | YO |  | 6 |
| OO |  | 2 | | | |
| PO |  | 2 | | | |

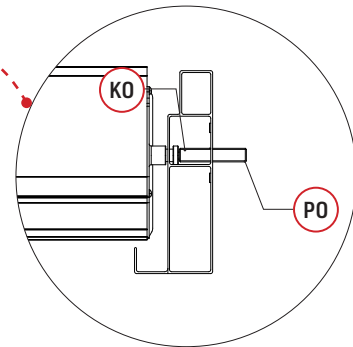
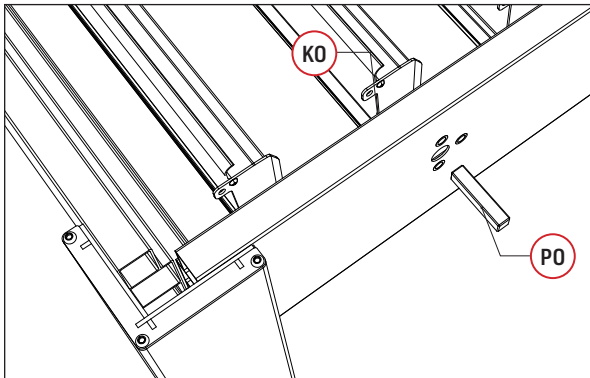


| | | |
|------|---|---|
| ZO-1 |  | 1 |
| ZO-2 |  | 1 |

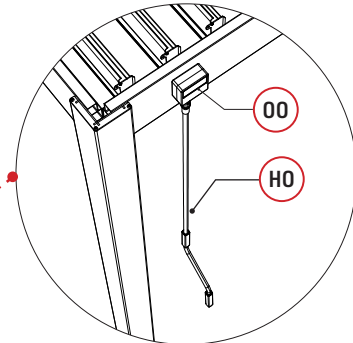
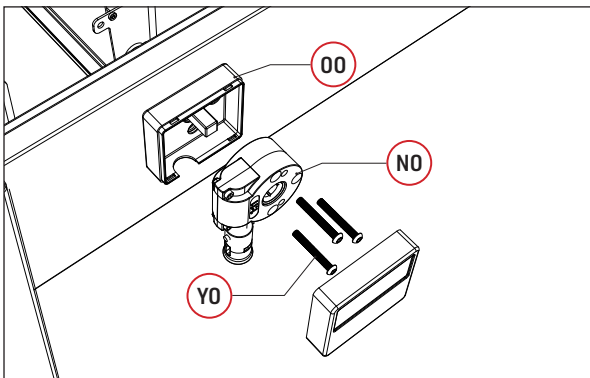


Complete the connection of the main shaft louvers

1



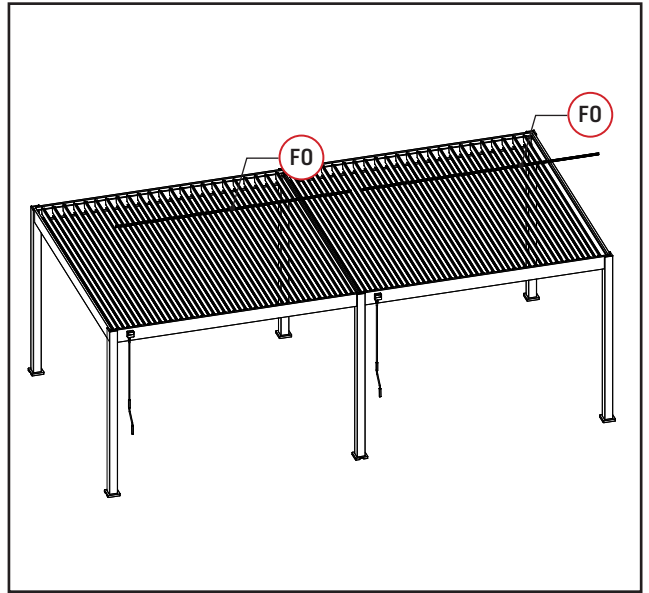
2




| | | |
|----|--|---|
| F0 |  | 2 |
|----|--|---|

| | | |
|----|---|----|
| V0 |  | 46 |
|----|---|----|

| | | |
|----|--|----|
| U0 |  lock nut | 46 |
|----|--|----|

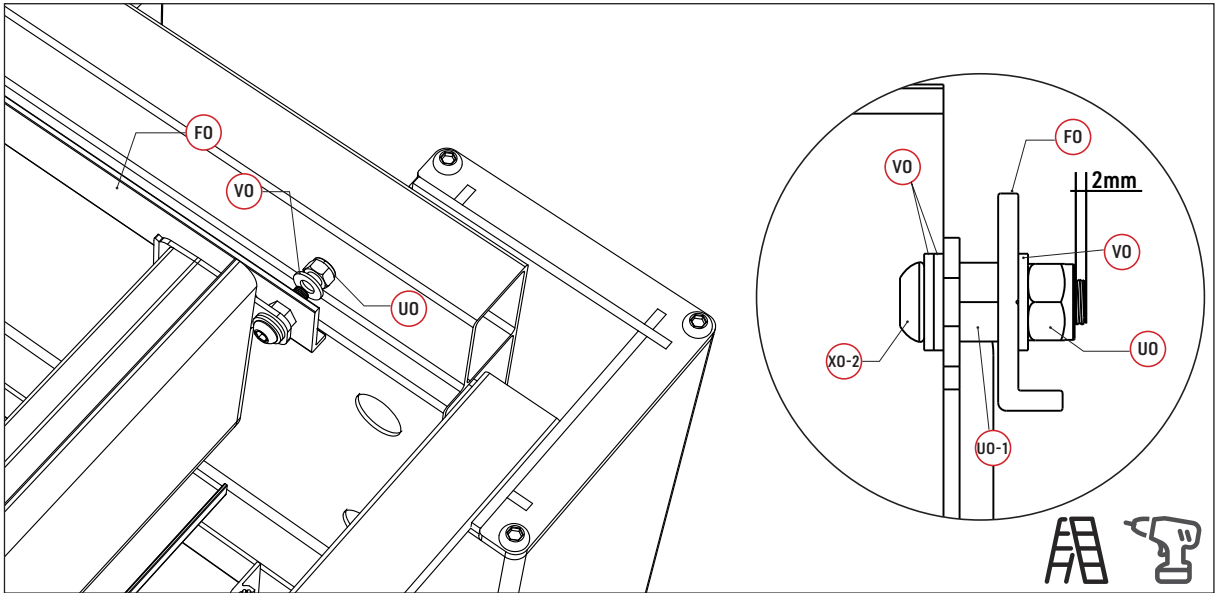




| | | |
|------|---|---|
| Z0-1 |  4mm | 1 |
|------|---|---|

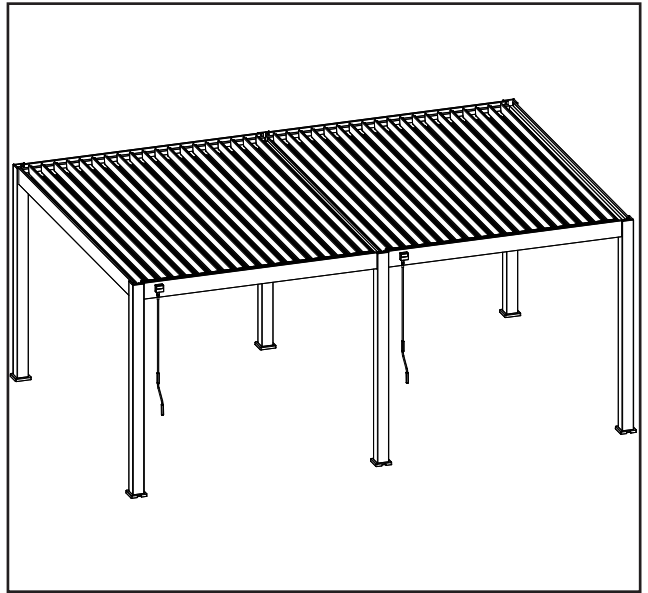
| | | |
|------|---|---|
| Z0-2 |  4mm | 1 |
|------|---|---|

| | | |
|------|--|---|
| Z0-5 |  10mm | 1 |
|------|--|---|

Louver connection

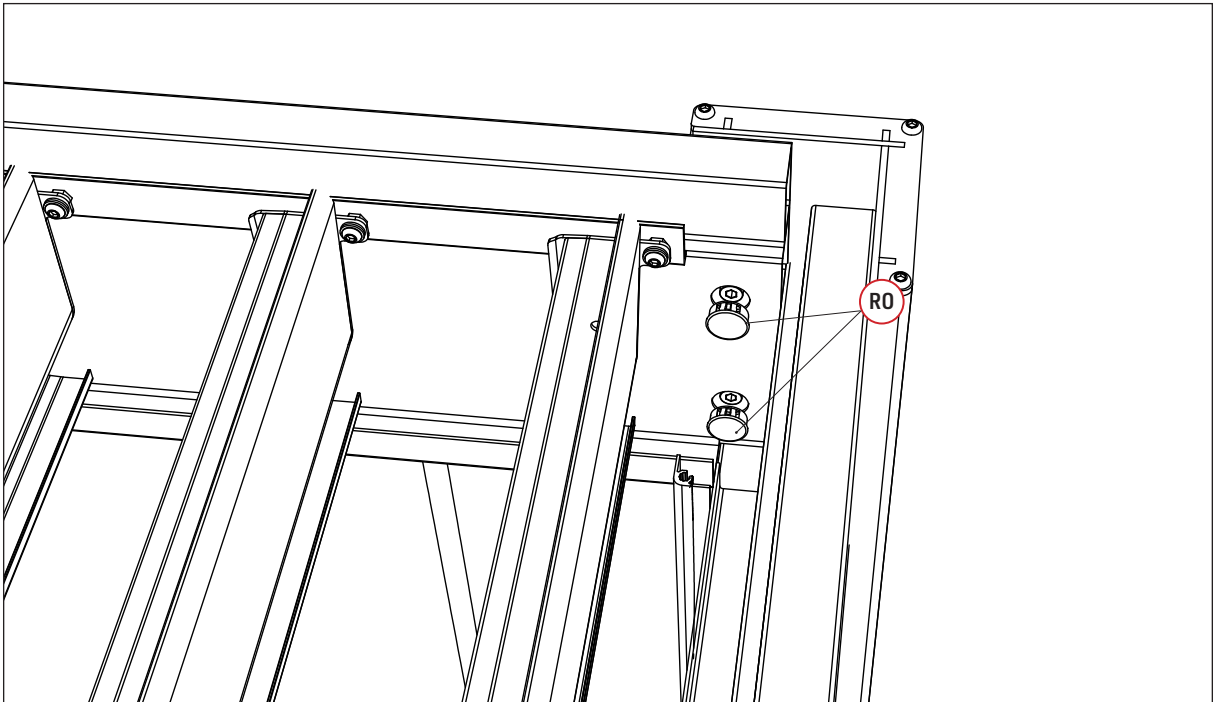


| | | |
|----|---|----|
| RO |  | 24 |
| TO |  | 24 |



Close the cover to complete the fixing of the pergola

1





Please check all footing dimension are correct, then fix all base plates.

